

# TOTALLIFTER®

• Easy • Efficient • Economic

TOTALLIFTER  
**2.5 TON / 3.0 TON**

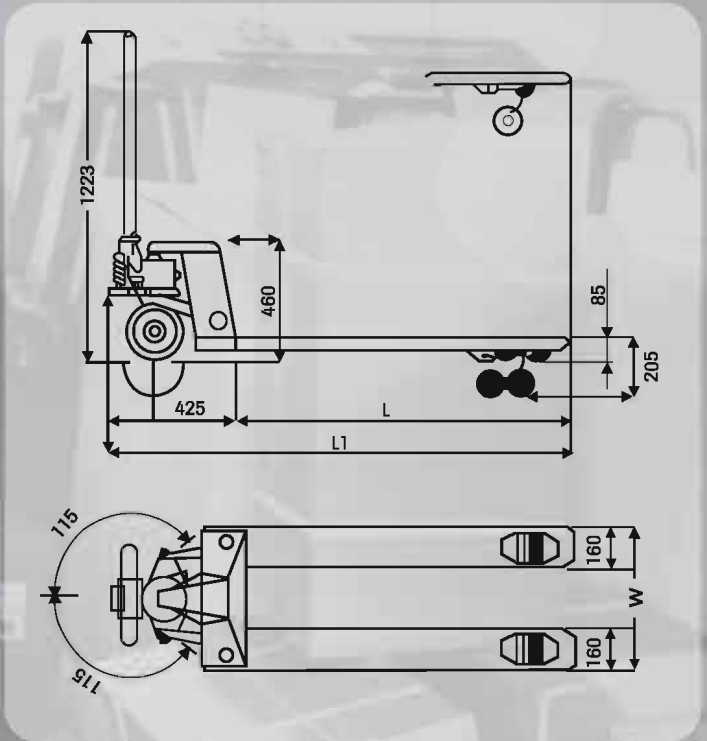
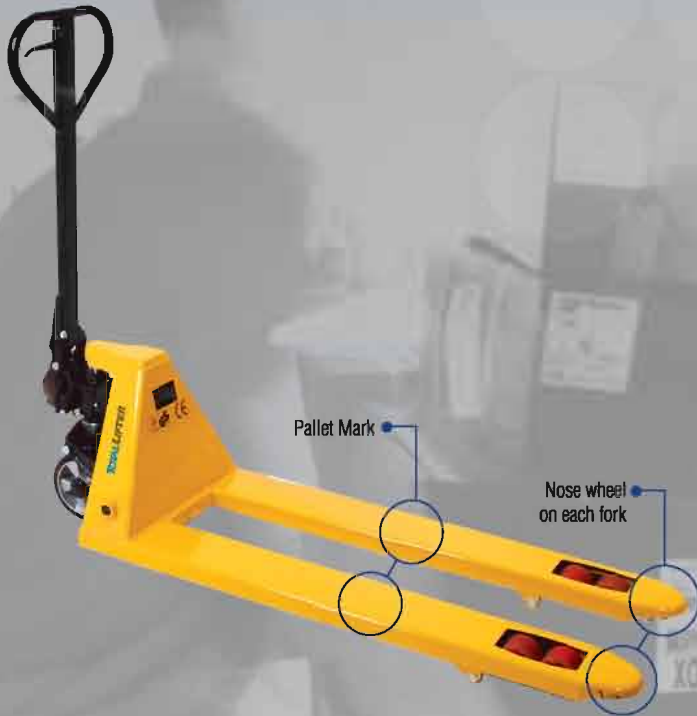


Specifications available on the back 



## Standard Features:

- ▶ Heavy Duty Pump
- ▶ Reinforced Steering Bar
- ▶ Nose wheels
- ▶ Operation Manual & Spare Parts List
- ▶ CE-Compliance with Machinery Directive



### General specifications

Part No.	standard 2.5 ton				standard 3.0 ton					
	16309647	11784292	14881122	11784283	18345086	18345078	18345089	18345072		
Fork Length	L	mm	1220	1150	1220	1150	1220	1150		
Overall Length	L1	mm	1645	1575	1645	1575	1645	1575		
Overall Width	W	mm	685	520	685	520	685	520		
Weight		kg	70	70	70	70	85	85		
Capacity		kg	2500	2500	2500	2500	3000	3000		
Lowest height of the forks	H1	mm	75	75	75	75	75	75		
Maximum lift height	H	mm	190	190	190	190	190	190		
Wheels-	Steering		PU	PU	Nylon	Nylon	PU	PU	Nylon	Nylon
	Load		Single/PU	Single/PU	Single/Nylon	Single/Nylon	Single/PU	Single/PU	Single/Nylon	Single/Nylon

Other models are available. Please consult your local dealer for details.

Your local dealer:

# TOTAL LIFTER®

• Easy • Efficient • Economic